

# W-CLASS VESSELS (BULK CONFIGURATION)

VESSEL NAME	LISBON TRADER	PARIS TRADER	SAN MARINO TRADER	WARNOW JUPITER	WARNOW MARS	WARNOW MERKUR	WARNOW MOON
YEAR BUILT	2009	2011	2010	2011	2011	2010	2010
IMO NO.	9509607	9594494	9509621	9594482	9509712	9509695	9509671
CALL SIGN	A8TV8	V2GB7	A8UR2	D5AD5	A8YQ5	A8W14	A8VX3
FLAG	LIBERIA	ANTIGUA & BARBUDA	LIBERIA	LIBERIA	LIBERIA	LIBERIA	LIBERIA



powered by partnerships

<b>Type</b>	Multipurpose Dry Cargo Ship, Equipped for Carriage of Containers		
<b>Class</b>	GL + 100 A5 Multi Purpose Dry Cargo Ship, Equipped for Carriage of Containers, Solas II-2, Reg.19, Strengthened for Heavy Cargo, G, ESP, IW, NAV-O, Environmental Passport, BMW, DG, DBC, + MC AUT		
<b>Deadweight</b>	33,217 t (without Tween Decks) 32,387 t (with Tween Decks)		
<b>GRT/NRT</b>	22863 / 10602		
<b>LOA</b>	179.50 m		
<b>LBP</b>	169.00 m		
<b>Breadth (Moulded)</b>	28.00 m		
<b>Depth (Moulded)</b>	15.10 m		
<b>Draft (Summer)</b>	10.80 m		
<b>Cargo Hold Dimensions</b>	<b>Hold</b>	<b>Capacity (m³)</b>	<b>Hatch Size (L X B)</b>
	1	3.242	12.6m x 20.04m/10.19m
	2	10.551	25.6m x 24.4m
	3	10.551	25.6m x 24.4m
	4	10.551	25.6m x 24.4m
	5	4.147	25.6m x 24.4m
	<b>Total</b>	39.042 (inc. tween deck)	
<b>Tanktop Sizes</b>	<b>Hold</b>	<b>Area (sqm)</b>	<b>Bottom Size (L x B)</b>
	1	227	7.8/6.9m x 20.1/10.2m
	2	742	30.4m x 24.4m
	3	742	30.4m x 24.4m
	4	742	30.4m x 24.4m
	5	197 + 135 (monkey rocks)	13.6m x 14.5m (24.4m)
	<b>Total</b>	2650 + 135 (MR) = 2,785 tank top area total	

<b>Clear height in Hold</b>	14.86 m															
<b>Co2 - fitted Hatch</b>	Hold 1, 2, 3, 4, 5; Sprinkler system in hold 1 Hydraulic folding type hatchcovers covers Always one panel folding upright forward and aft															
	<table border="1"> <thead> <tr> <th>Hold</th> <th>Area (sqm)</th> <th>Hatch Cover Sizes (L X B)</th> </tr> </thead> <tbody> <tr> <td>Hold 1</td> <td>206</td> <td>6.9/6.1 m x 20.5/10.6 m</td> </tr> <tr> <td>Hold 2-4</td> <td>2067</td> <td>29.1 m x 26.5 m (each)</td> </tr> <tr> <td>Hold 5</td> <td>352</td> <td>13.3 m x 26.5 m</td> </tr> <tr> <td><b>Total</b></td> <td><b>2,625</b></td> <td></td> </tr> </tbody> </table>	Hold	Area (sqm)	Hatch Cover Sizes (L X B)	Hold 1	206	6.9/6.1 m x 20.5/10.6 m	Hold 2-4	2067	29.1 m x 26.5 m (each)	Hold 5	352	13.3 m x 26.5 m	<b>Total</b>	<b>2,625</b>	
Hold	Area (sqm)	Hatch Cover Sizes (L X B)														
Hold 1	206	6.9/6.1 m x 20.5/10.6 m														
Hold 2-4	2067	29.1 m x 26.5 m (each)														
Hold 5	352	13.3 m x 26.5 m														
<b>Total</b>	<b>2,625</b>															
<b>Cargo Capacity (Volume/Grain/Bale/Total)</b>	39042 cbm															
<b>Max Permissible Load</b>	Tanktop = 20t/sqm; hatch covers = 4t/sqm; Containerstackweight = 150t per 20ft and 40ft															
<b>Jump Loads</b>	Hold 3+5 or 1+3 or 2+4 or 1+3+5 can be empty while remaining ones are loaded															
<b>Container Capacity</b>	1158 TEU / 545 FEU															
<b>Crane Capacity</b>	4 electro hydraulic single deck crane; SWL = 60t															
<b>Maximum Lift</b>	Combinable above hatch 2/3/4 = 110t by means of a traverse beam															
<b>Main Engine</b>	MAN B&W, 1 x 6S50 MC-C7, 8,800kW															
<b>Ventilation</b>	Ventilation hold 1,2,3,4,5 = 6 x fold mechanically, redundant															
<b>Dangerous Cargo</b>	in line with IMDG code and vessels certificates															
<b>Timber Fitted</b>	Vessel fitted with stanchion pockets and lashing points. No slings/stanchions or lashing materials															
<b>Other</b>	Australia, Suez, Panama fitted Vessel suitable for grab discharge Vessel has traverse beam on board Vessel has no bowthruster															

AAL's highly flexible 33,217dwt W-Class vessels serve a growing portfolio of global services and offer our customers significant economies of scale and market-leading intake capacity on every sailing – able to stow heavy-lift project cargo alongside breakbulk and dry bulk commodities.



AAL Headquarters:

Singapore

T:+65 6248 3600

sales.sg@aalshipping.com

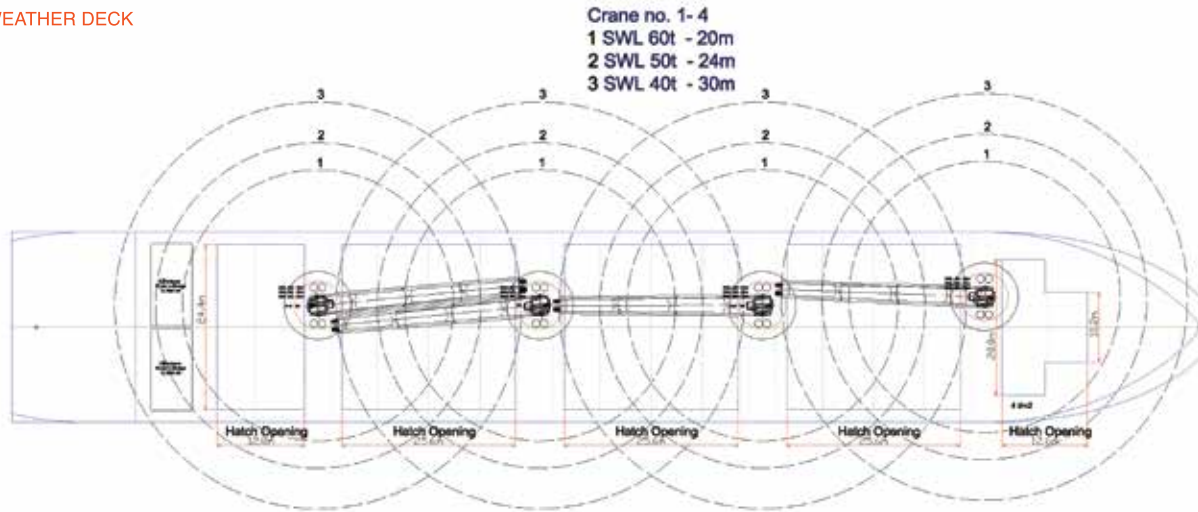
[www.aalshipping.com](http://www.aalshipping.com)

# W-CLASS VESSELS (BULK CONFIGURATION)



powered by partnerships

## WEATHER DECK



## TANK TOP



## SIDE VIEW



AAL Headquarters:

Singapore

T:+65 6248 3600

sales.sg@aalshipping.com

[www.aalshipping.com](http://www.aalshipping.com)