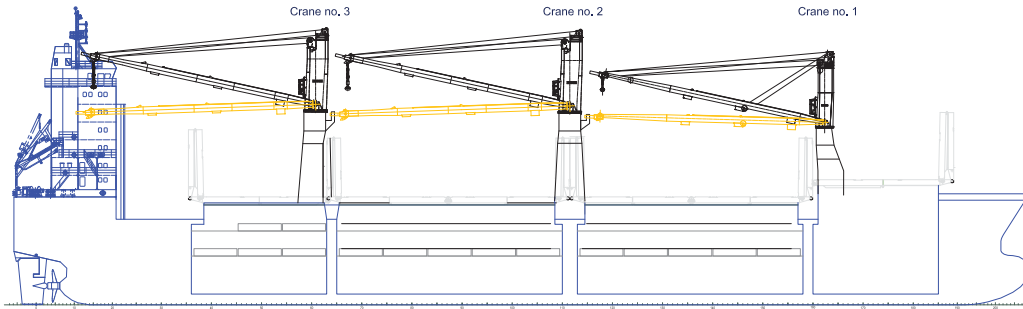


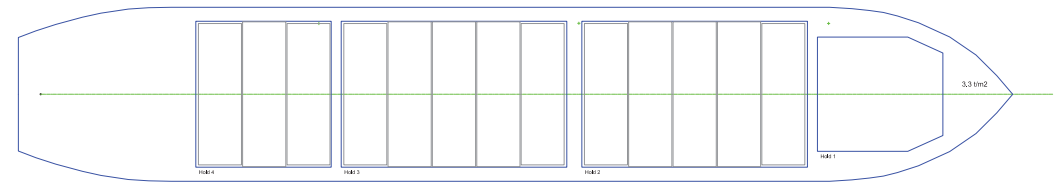
G-CLASS VESSELS

All vessel details are provided in good faith at time of printing, but are subject to change. Please check with your AAL Representative, or visit our website for all latest updates.

SIDE VIEW



TWEENDECK

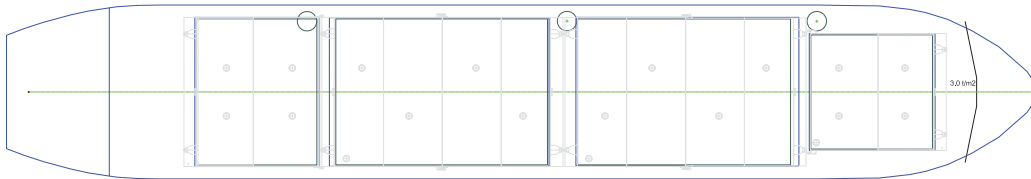


WEATHER DECK

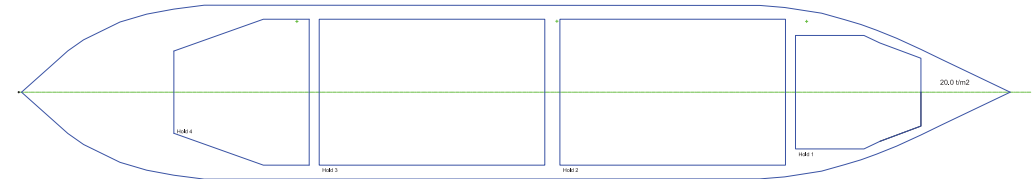
Crane no. 3
3,1 SWL 120t
3,2 SWL 100t
3,3 SWL 80t
3,4 SWL 70t
3,5 SWL 60t
3,6 SWL 45t

Crane no. 2
2,1 SWL 120t
2,2 SWL 100t
2,3 SWL 80t
2,4 SWL 70t
2,5 SWL 60t
2,6 SWL 45t

Crane no. 1
1,1 SWL 45t
1,2 SWL 40t



TANK TOP



AAL Australia
T: +61 7 3332 8555
E: sales.au@aalshipping.com

AAL Canada
T: +1 778 227 4610
E: sales.ca@aalshipping.com

AAL China
T: +86 21 6135 9600
E: sales.cn@aalshipping.com

AAL Europe
T: +49 40 361 304 810 / 820
E: sales.eu@aalshipping.com

AAL Japan
T: +81 3 5579 9709
E: sales.jp@aalshipping.com

AAL Korea
T: +82 2 6388 7870
E: sales.kr@aalshipping.com

AAL Middle East
T: +97 1 4 450 47 00
E: sales.me@aalshipping.com

AAL USA
T: +1 713 980 1100
E: sales.us@aalshipping.com

AAL Headquarters
Singapore
T: +65 6248 3600
sales.sg@aalshipping.com
www.aalshipping.com



powered by partnerships

G-CLASS VESSELS

Type	Multipurpose / Heavy Lift / Container Carrier	Hatch Dimensions (L x B)	No. 1: 18.96 x 18.00 m No. 2: 35.55 x 23.00 m No. 3: 35.55 x 23.00 m No. 4: 21.33 x 23.00 m	Container Capacity (Total FEU)	621 FEU + 59 TEU
Class	Carrier Germanischer Lloyd + 100 A5, E1, G, Equipped for Carriage of Containers, Strengthened for Heavy Cargo, IW, + MC E1 AUT	Cargo Capacity (Grain/Bale)	No. 1: 5,882 cbm No. 2: 11,589 cbm No. 3: 11,589 cbm No. 4: 6,645 cbm	Reefer Containers	100 Reefer Points
Deadweight	25,800 t	Total	35,706 cbm (excl. twd)	Cargo Gear	Crane 1: 45 t at 28.00 m Crane 2 & 3: 120 t at 14.80 m
GT/NT	19,128 / 9,736	Floor Space	Tank Top: 2,481 m ² Tweendeck: 2,481 m ² Weather Deck: 2,660 m ²	Maximum Lift	Combinable up to 240 t SWL
LOA	159.99 m	Max Permissible Load	Weather Deck Hatch Covers: 3.00 t/m ² Tweendeck Hatch Covers: 3.20 t/m ² Tank Top: 20.00 t/m ²	Main Engine	MAN B&W 6S40ME-B (fix pitch propeller)
LBP	152.00 m	Container Capacity (Total TEU)	1,620 TEU	Auxiliary Engines (3 Sets)	6,810kW at 146RPM Yanmar 6N18AL-EV 660kW at 900RPM
Breadth (Moulded)	27.40 m			Bow Thruster	Yes
Depth (Moulded)	13.50 m			Dehumidifiers / Ventilation	All holds mechanically ventilated / 6 air changes per hour
Draft (Summer)	9.80 m			Dangerous Cargo	SOLAS II-2 Reg. 19 Dangerous Goods cl. 1.4s, 2, 3, 4, 5.1, 6.1, 8, 9
Holds	4				
Hatches	4				
Tweendecks	1 Tweendeck				

VESSEL NAME	AAL GENOA
YEAR BUILT	2009
IMO NO.	9393541
CALL SIGN	5BRV2
FLAG	CYPRUS



An extremely flexible heavy lift vessel class, with adaptable configurations to fit all cargo types and a maximum lift capacity of 480 t. These tween-deckers are less than 10 years old and feature four large hatch covered holds, a weather deck space of 700m² and cargo intake capacity of 36,000 cbm.



www.aalshipping.com | www.aalshipping.com.cn



WeChat ID: **AALSHIPPING**
新加坡澳亚航运有限公司上海代表处



powered by partnerships